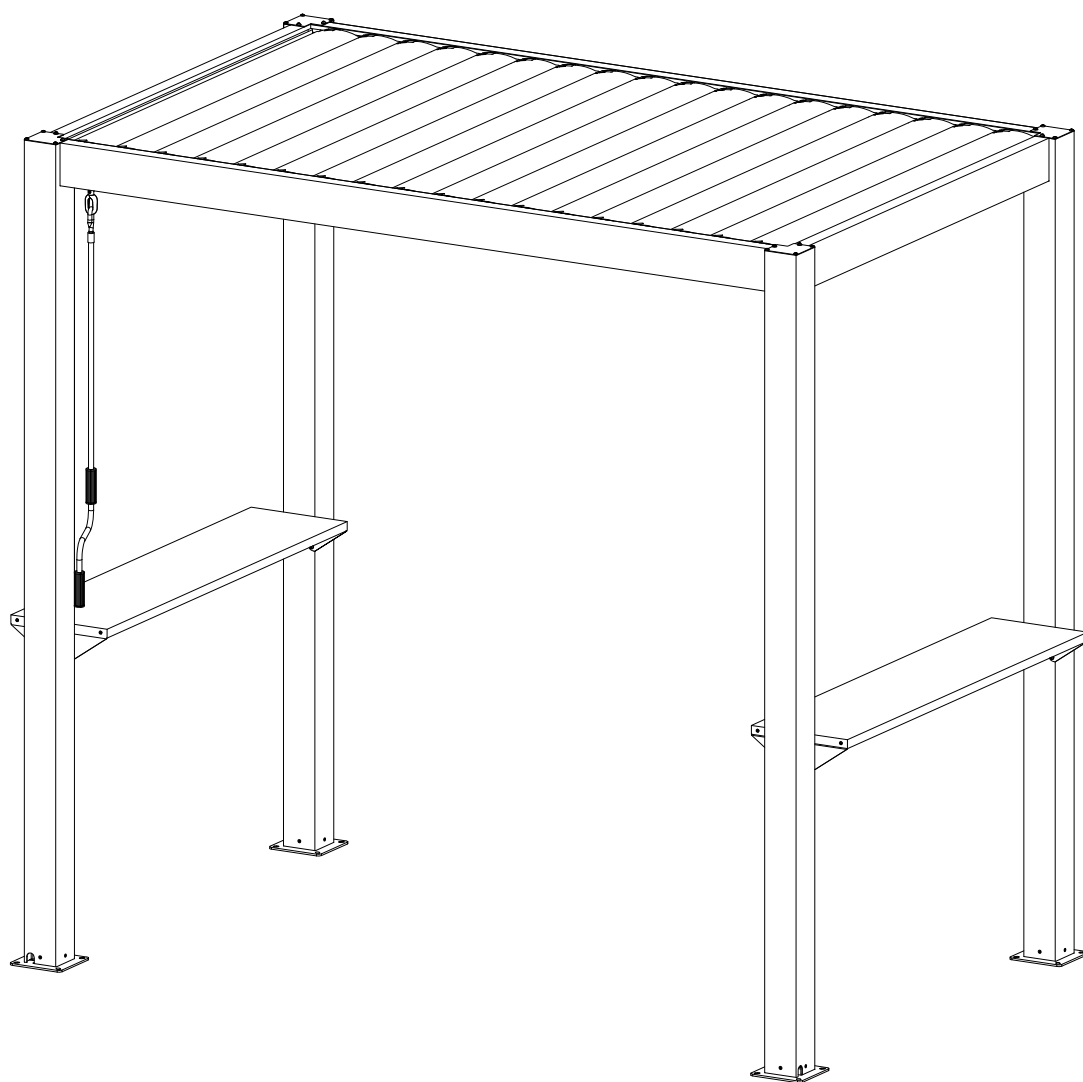
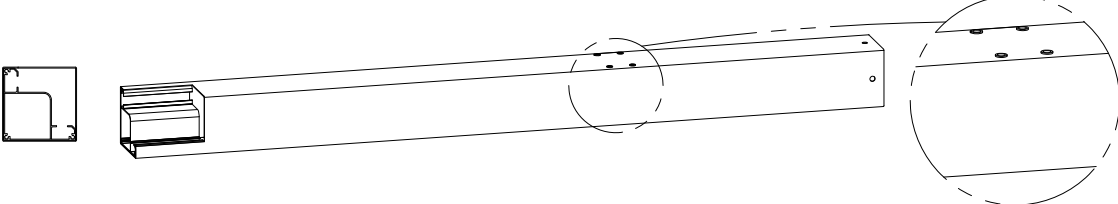
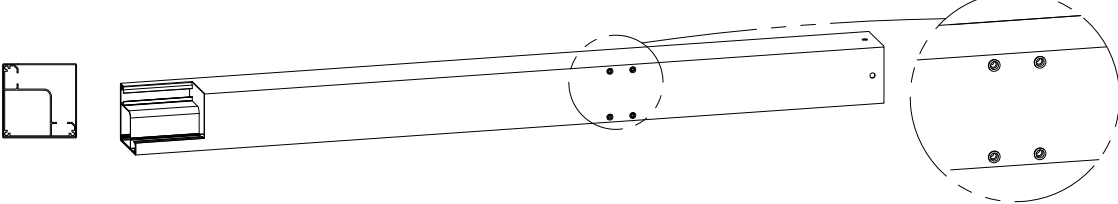
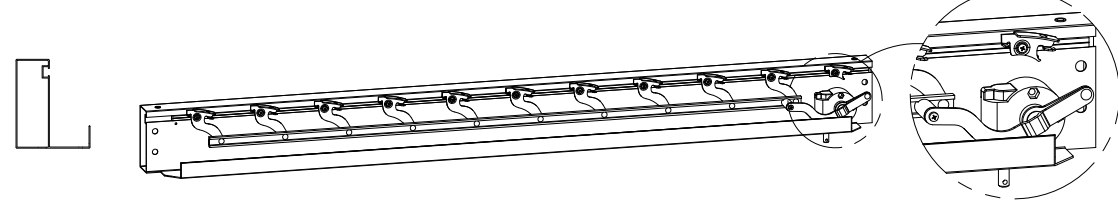
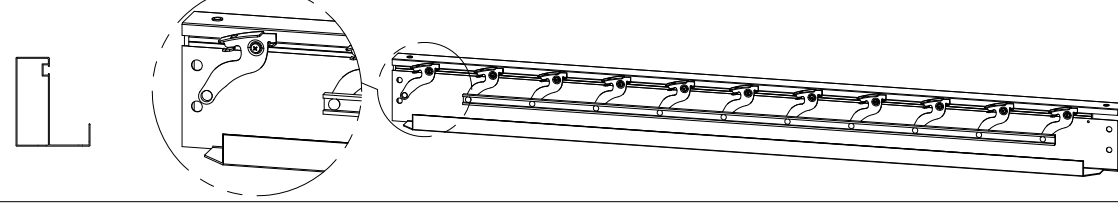
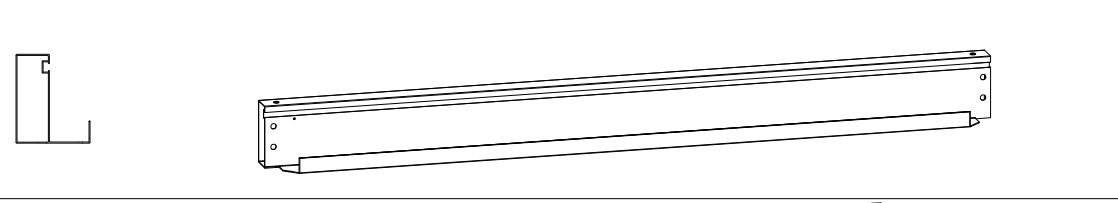
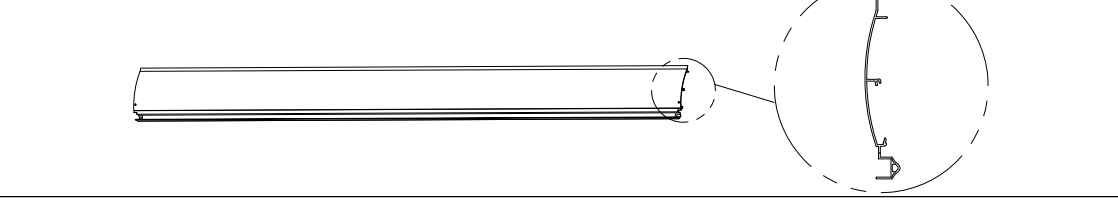
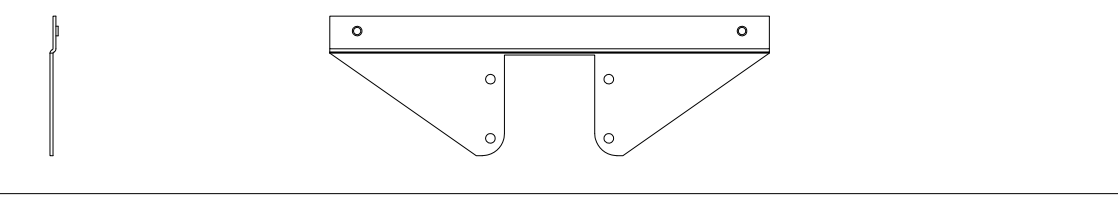
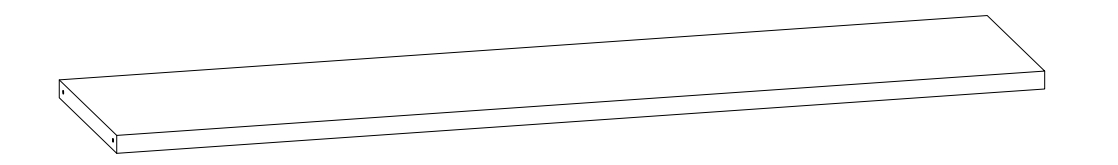


BBQ PERGOLA

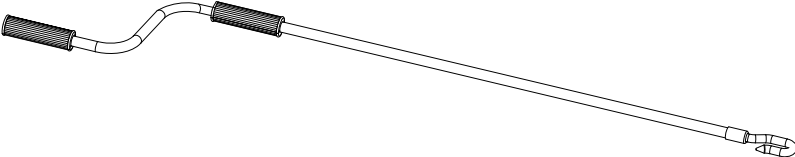

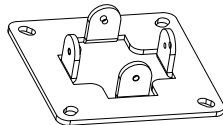
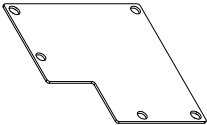
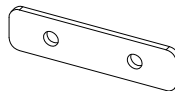
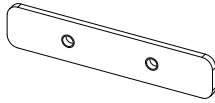
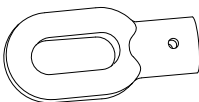



	REF	QTY	REF	QTY	REF	QTY
Carton 1/3	A1	2PCS	A2	2PCS	K	1PC
	L2	4PCS	L3	8PCS	L4	8PCS
	L5	1PC	S1	16PCS	S2	16PCS
	S3	1STE	S4	36PCS	S5	16PCS
	S6	12PCS	S7	24PCS	S8	24PCS
	S9	16PCS	S10	16PCS	S11	16PCS
	S12	8PCS	Manual utilisateur	1SET	L6	1PC
	Carton 2/3	B1	1PC	B2	1PC	C
J		1PC	L1	4PCS		
Carton 3/3	F	18PCS	G	4PCS	H	2PCS

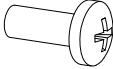

Bill of Materials List

REF	PHOTO	QTY
A1		2
A2		2
B1		1
B2		1
C		2
F		18
G		4
H		2

Bill of Materials List

REF	PHOTO	QTY
J		1
K		1
L1		4
L2		4
L3		8
L4		8
L5		1
L6	 5#	1

Bill of Materials List

REF	PHOTO	QTY	REF	PHOTO	QTY
S1	 M6*16	16	S9	 M8*75	16
S2	 M6*16	16	S10	 φ10*50	16
S3	 M4 & M4*20	1	S11	 φ8*1	16
S4	 M4*10	36	S12	 M4*10	8
S5		16			
S6	 ST5.5*16	12			
S7	 φ6*1	24			
S8	 M6*16	24			

Kinder Reminder

General Guidelines

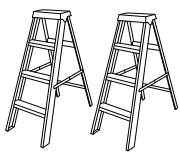
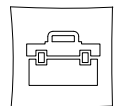
- Please keep this manual for future use after you install the pergola;
- Please read the following instruction carefully before assembly;
- This manual may not include every details and considerable steps;
- Please contact us when you need further information or any help

Kind Notes

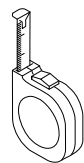
·Please do not allow snow to accumulate on the louver roof. If moderate or heavy snow is expected to coming, do open the louvers, also does it in the conditions of high winds or other extreme weather conditions.

·Please open the louvers and raise or remove any shade screen accessories that have been installed to avoid potential damage to the pergola when bad weather comes.

What you may need?



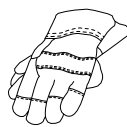
Ladder x2



Tapeline



Mallet

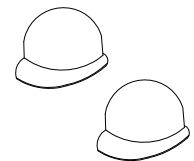


Glove

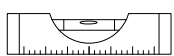


Ø10mm

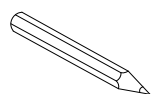
electric screw driver



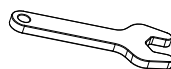
Safety hat x2



Level



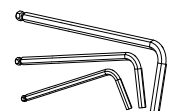
Marker Pen



Adjustable wrench



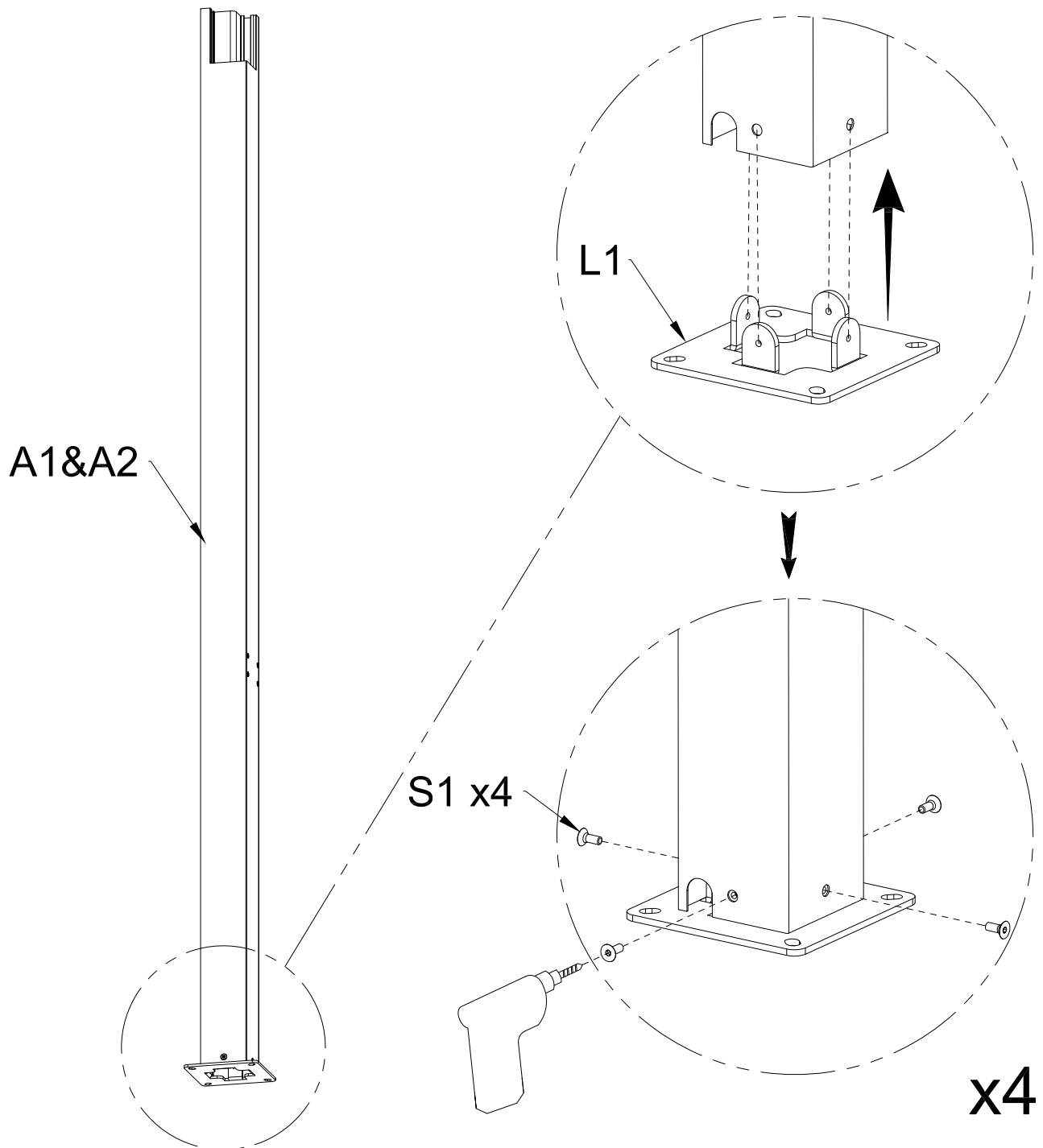
screwdriver or electric screwdriver



Allen key

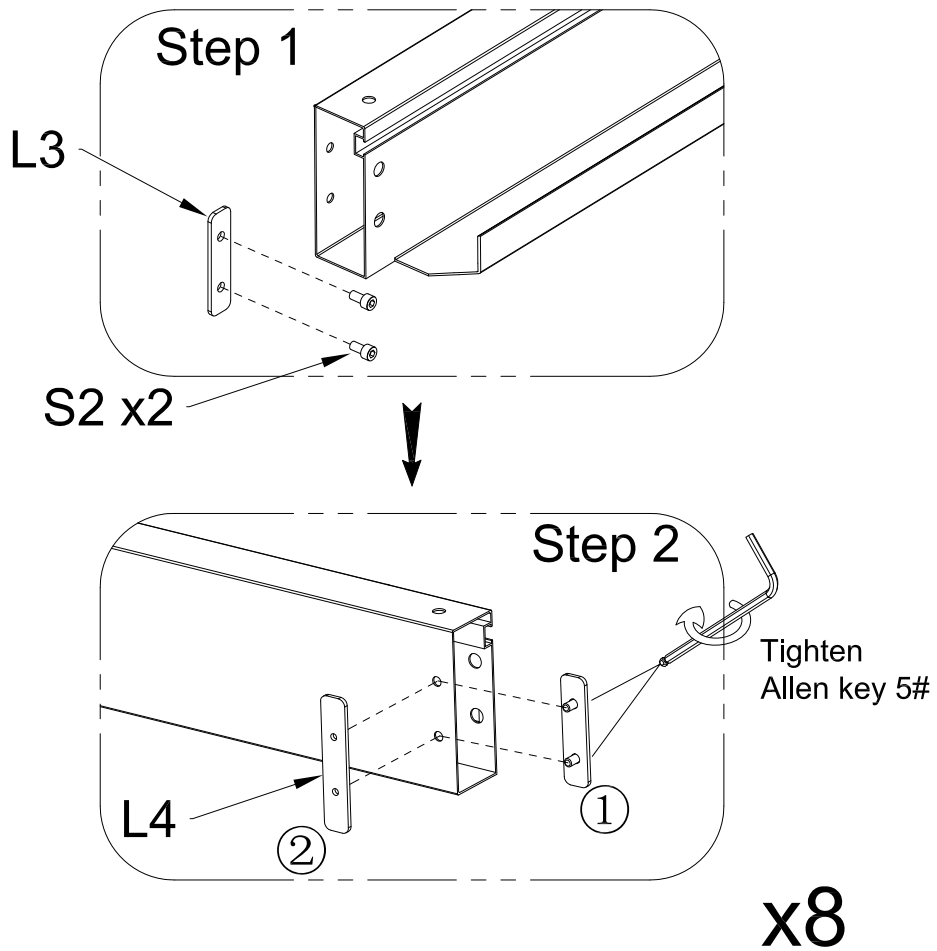
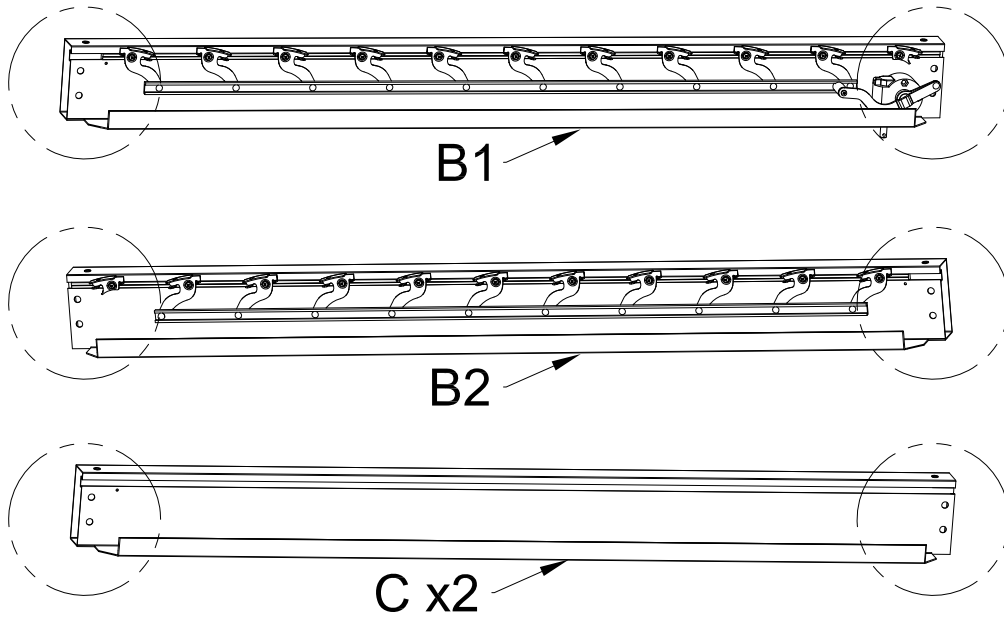
Step-by-step Instructions for Installation

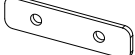
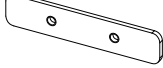

1. Assemble the bottom plate of **four** pillars



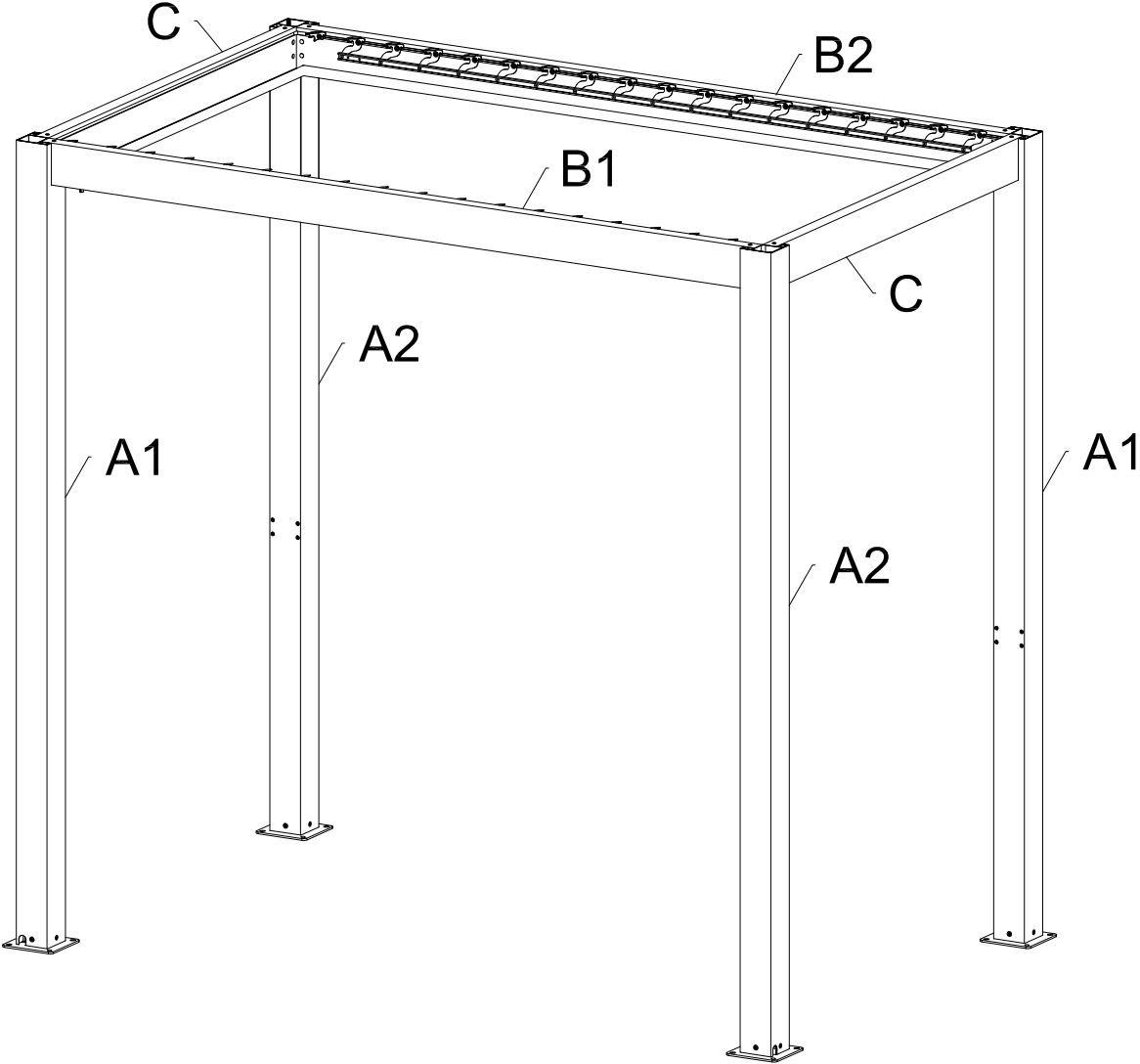
A1		QTY:2PCS
A2		QTY:2PCS
L1		QTY:4PCS
S1		QTY:16PCS

2. Install short iron plates at both ends

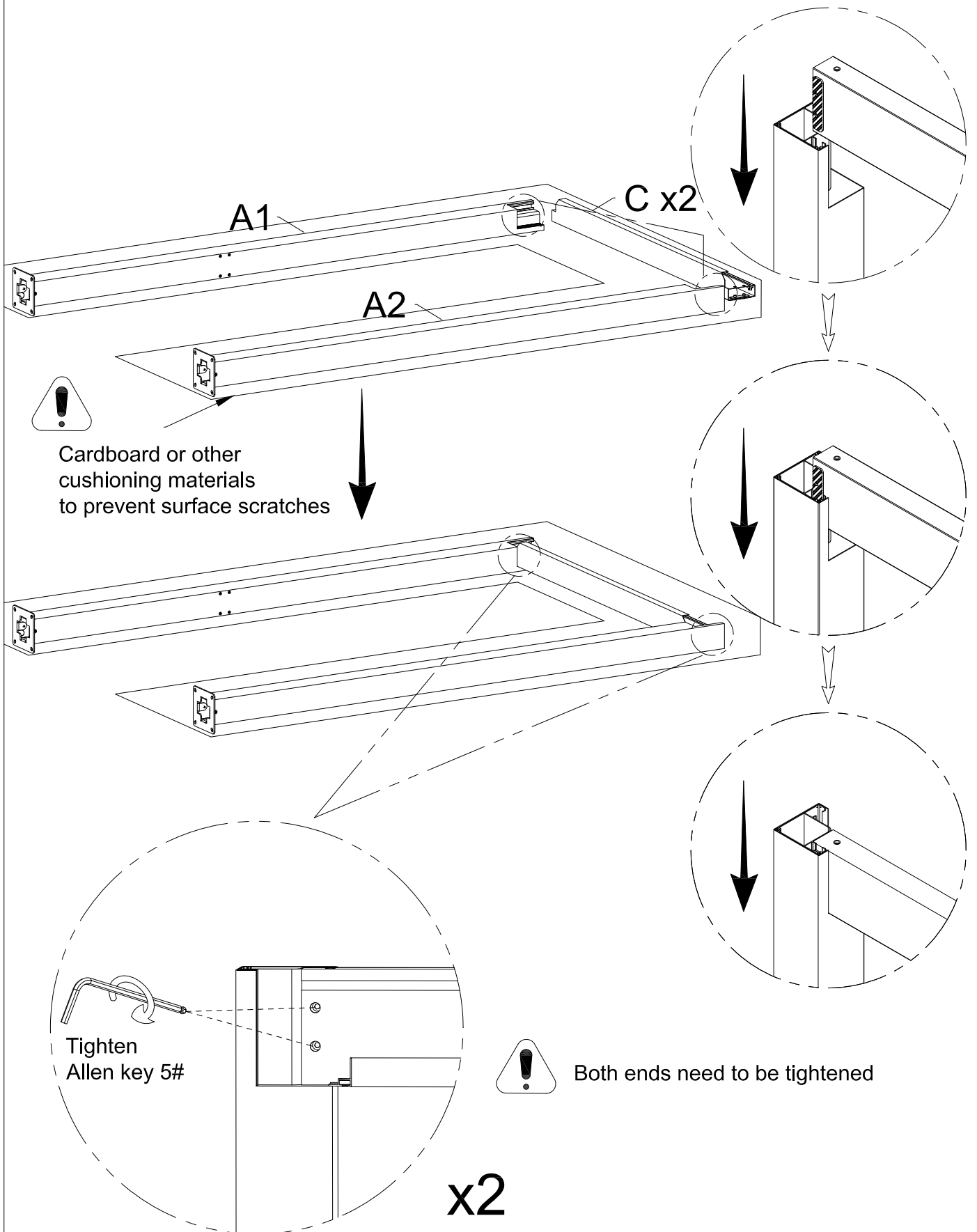


L3		QTY:8PCS	L4		QTY:8PCS	S2		M6*16	QTY:16PCS
----	---	----------	----	---	----------	----	---	-------	-----------

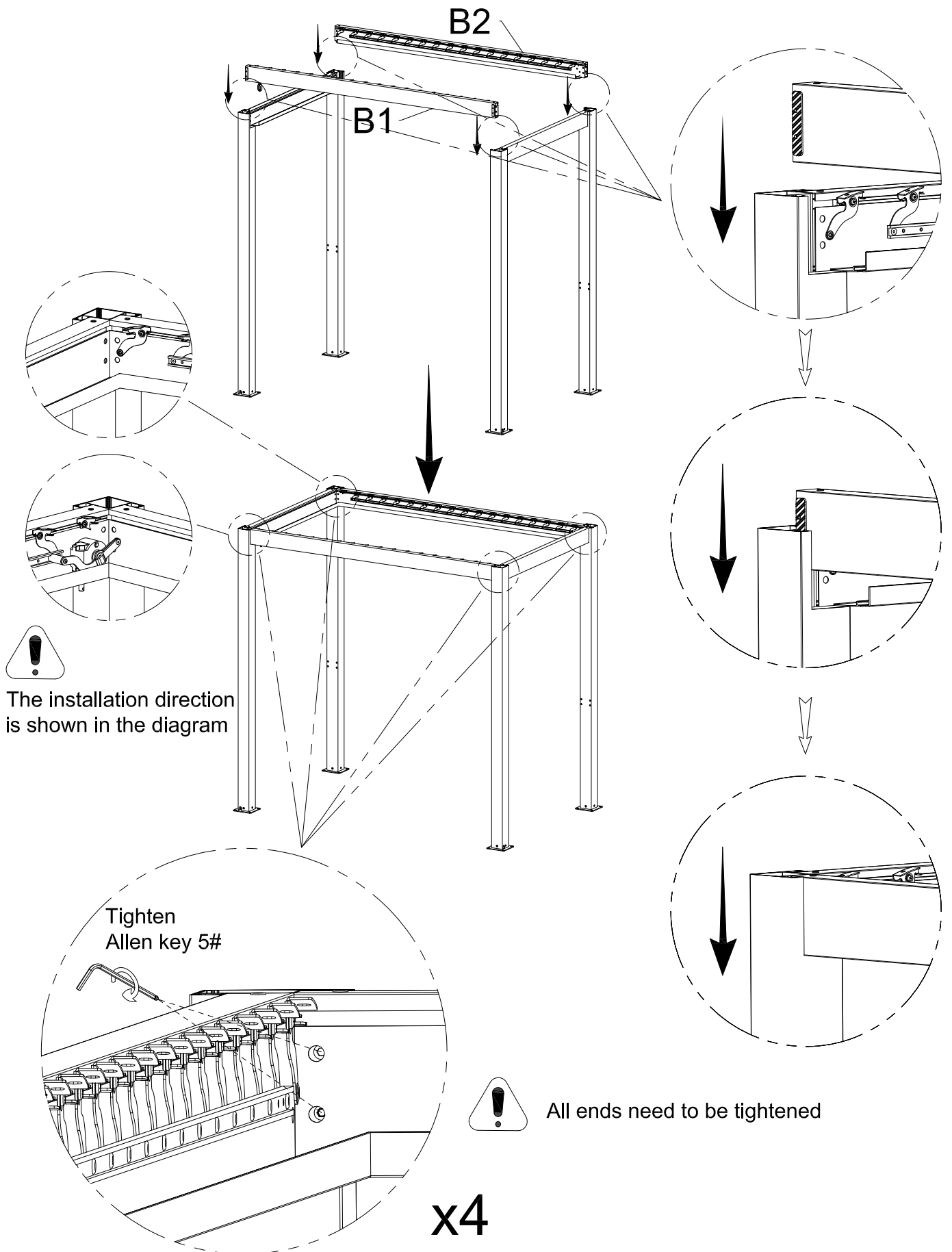
3. Building a framework



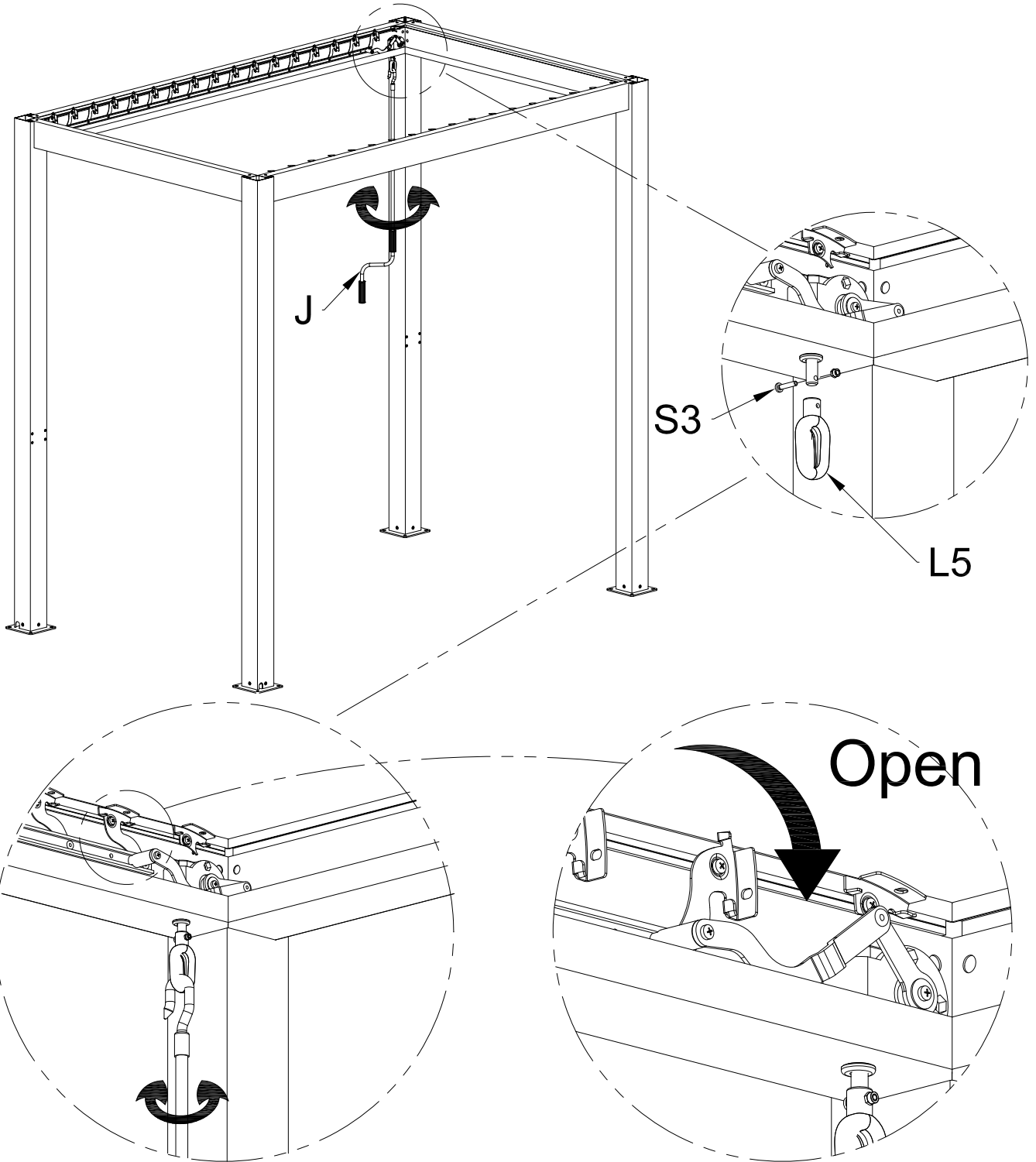
3.1 Assembly of two sets of C beams and columns



3.2 Install the left and right crossbeams



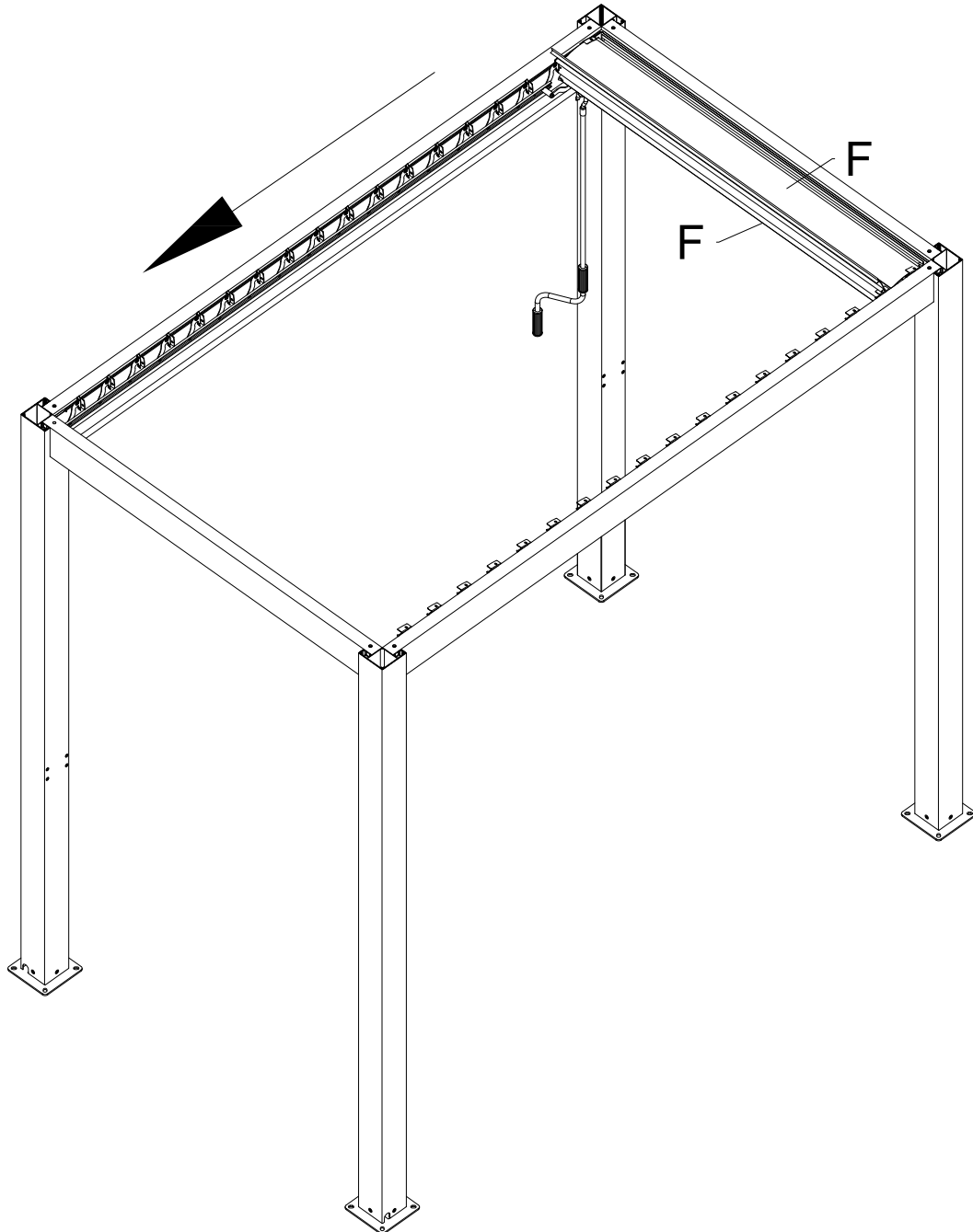
4. Install the hinge ring, shake the joystick, and open the push rod



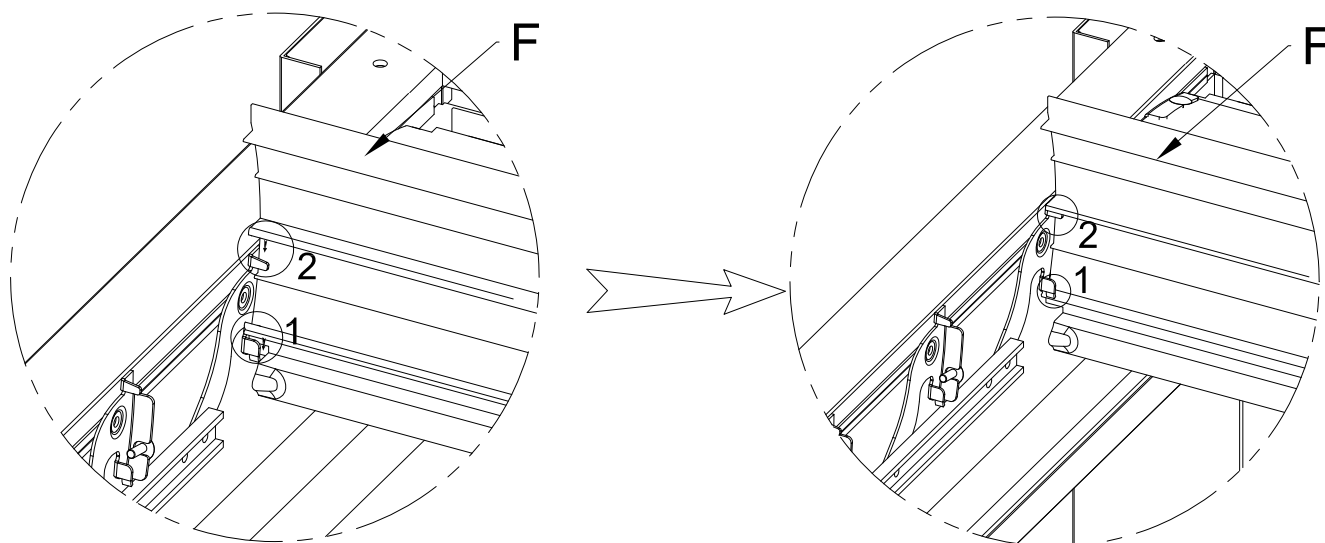
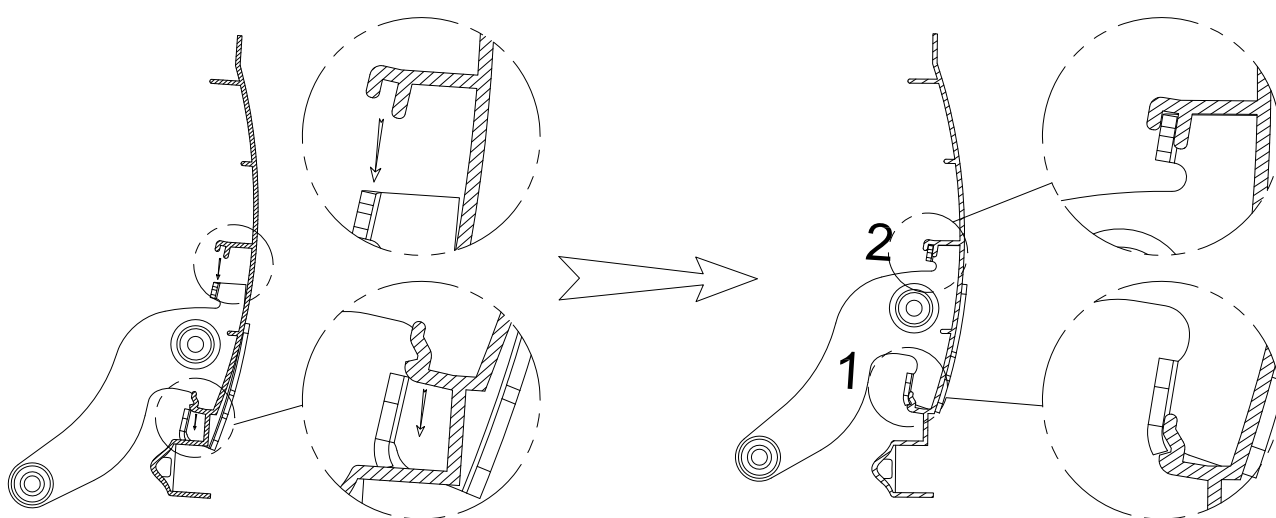
Shake the joystick

J		QTY:1 PC
L5		QTY:1PC S3 QTY:1SET M4&M4*25

5. Install the Louvers in the same direction as the arrow



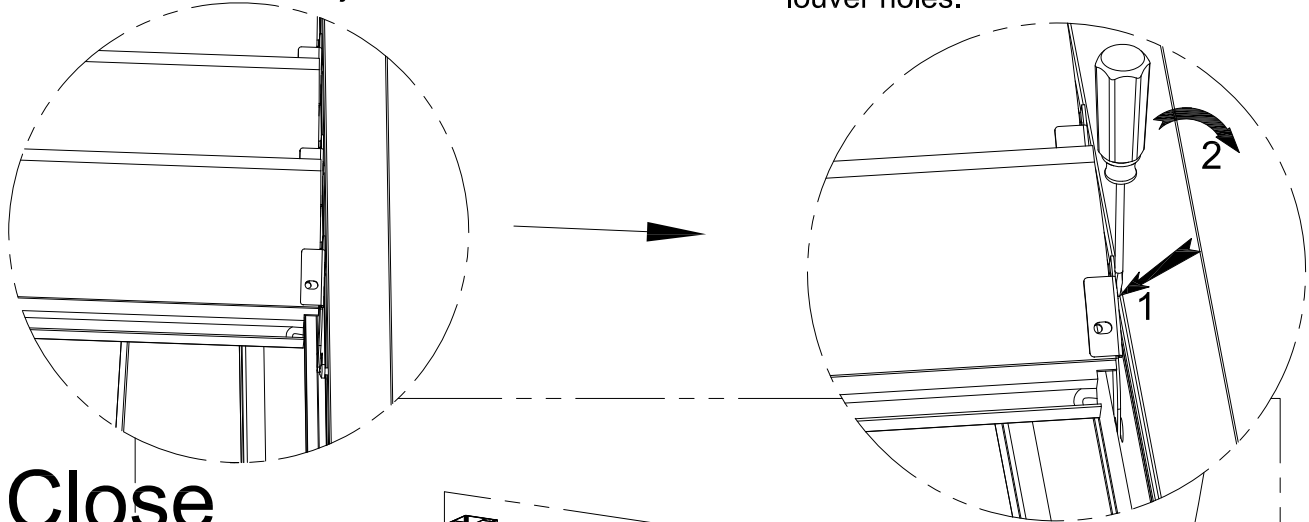
5.1 As shown in the figure, first clamp the louver F at the tail of the two end brackets, then press down on the louver to clamp it, and install it in the direction indicated by the arrows at clamping positions 1 and 2. Then fix the louver in the corresponding position as shown in the picture, shake it to check if it can work smoothly.



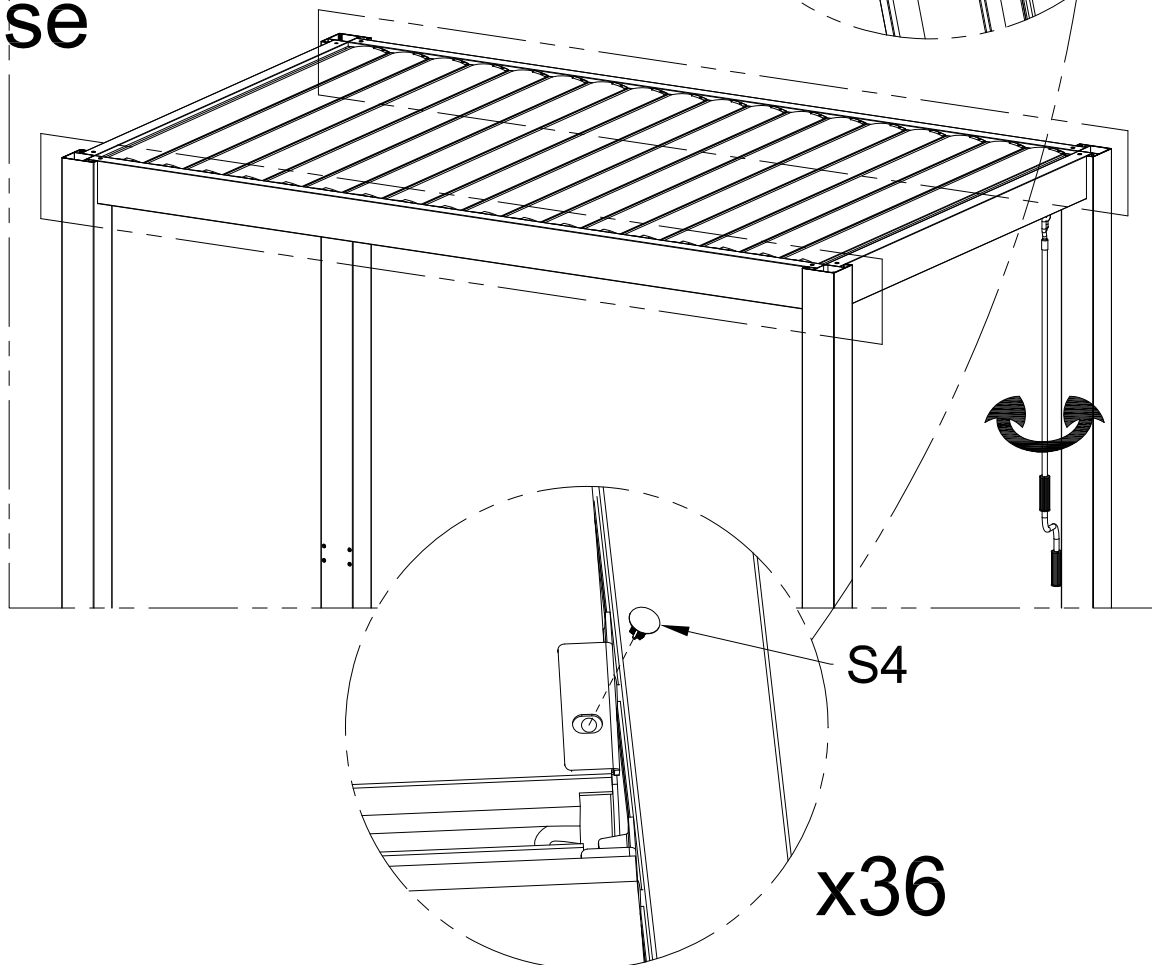
5.2 Insert all louvers and adjust them to the suitable position

1) As shown in the figure, if the holes are not aligned, they need to be adjusted.

2) As shown in the figure, insert a screwdriver at point 1 and then pry up the louver bracket in direction 2. Align the holes of the louver support with the center of the louver holes.



Close



3) After adjustment, align the holes of the louver bracket with the center of the louver holes. Then install the plastic plug.

F



QTY:18PCS

S4

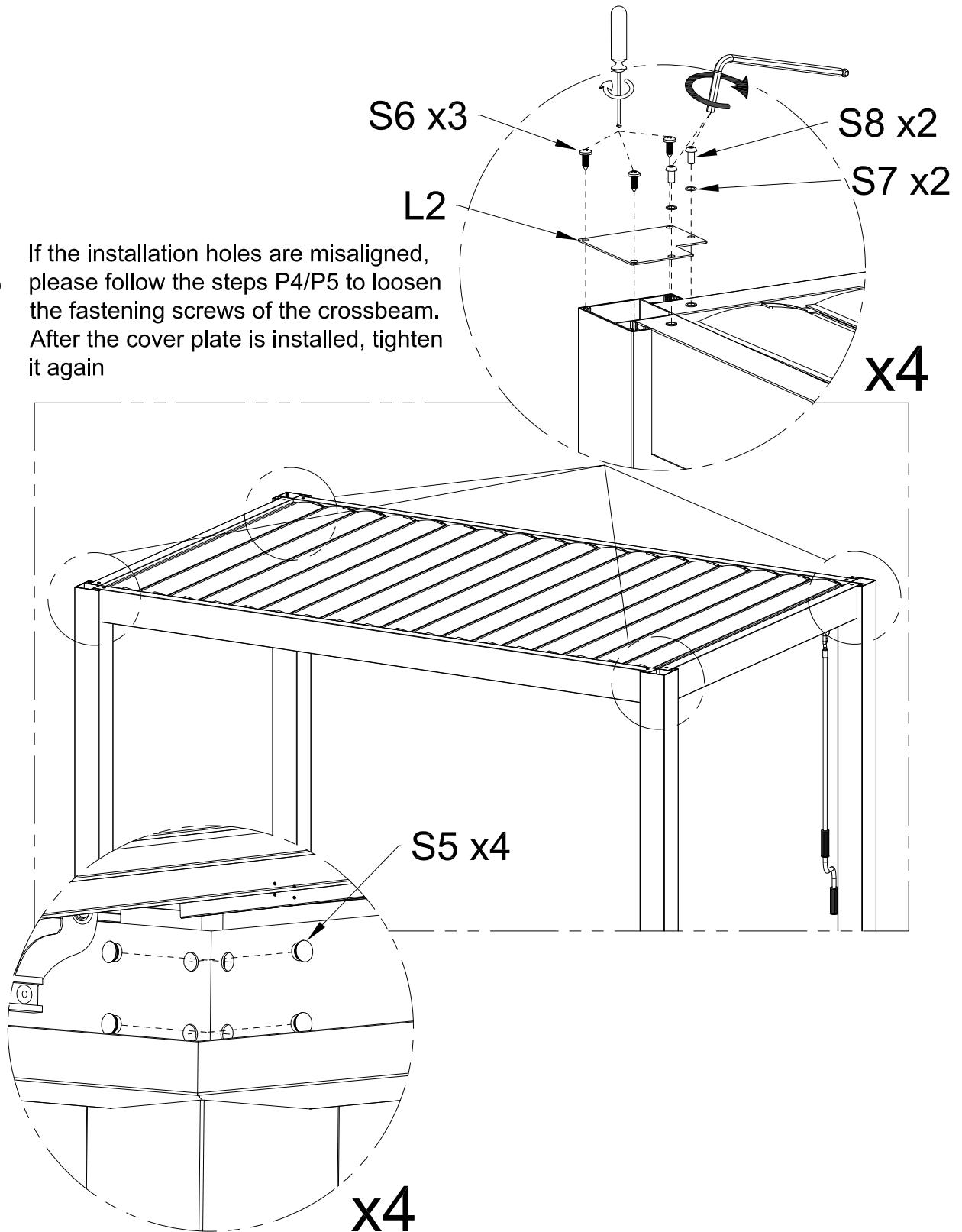




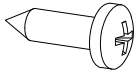

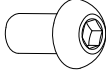
QTY:36PCS

6. Installing column cover and hole plug

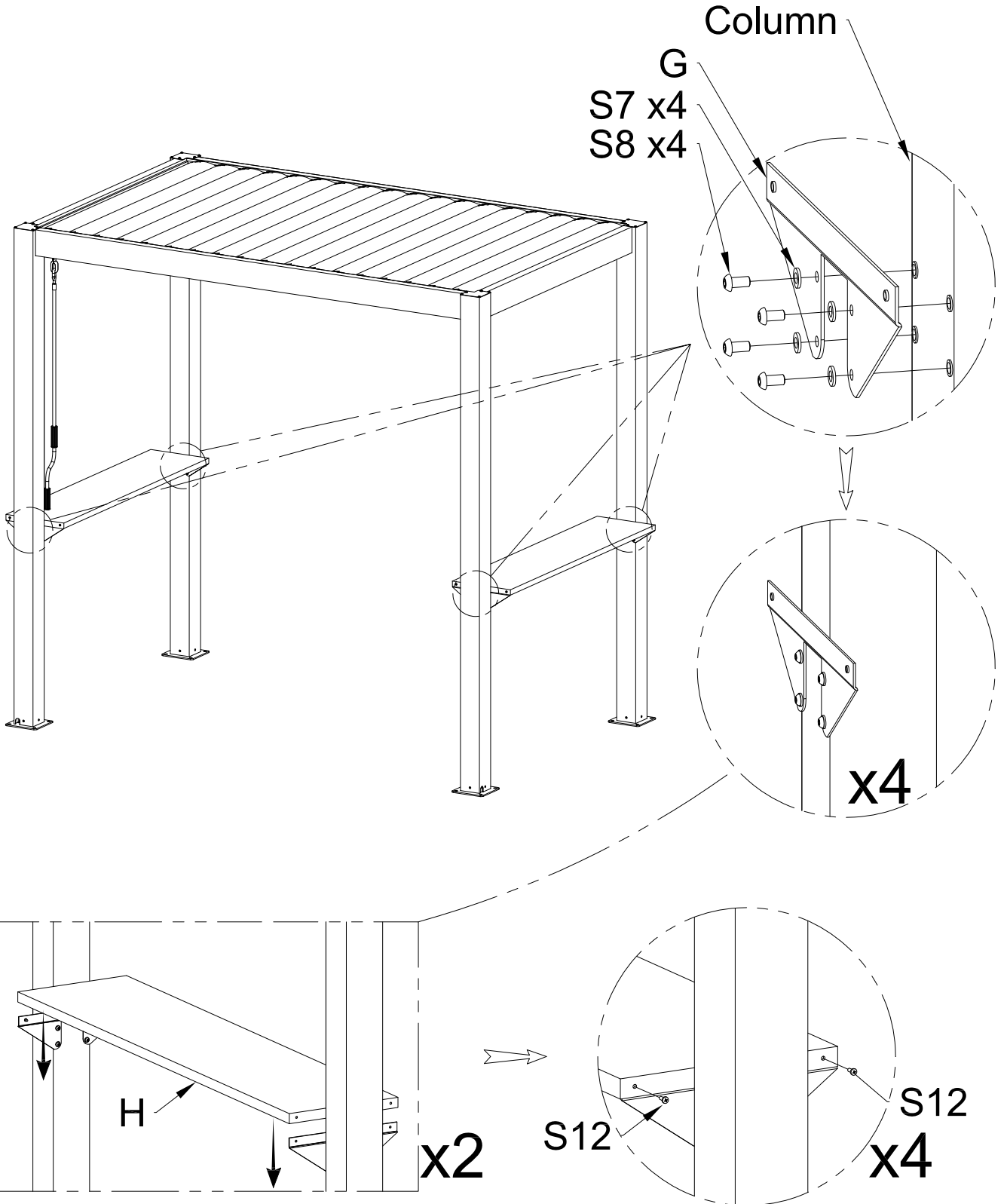


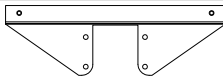


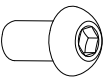
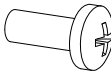
If the installation holes are misaligned, please follow the steps P4/P5 to loosen the fastening screws of the crossbeam. After the cover plate is installed, tighten it again



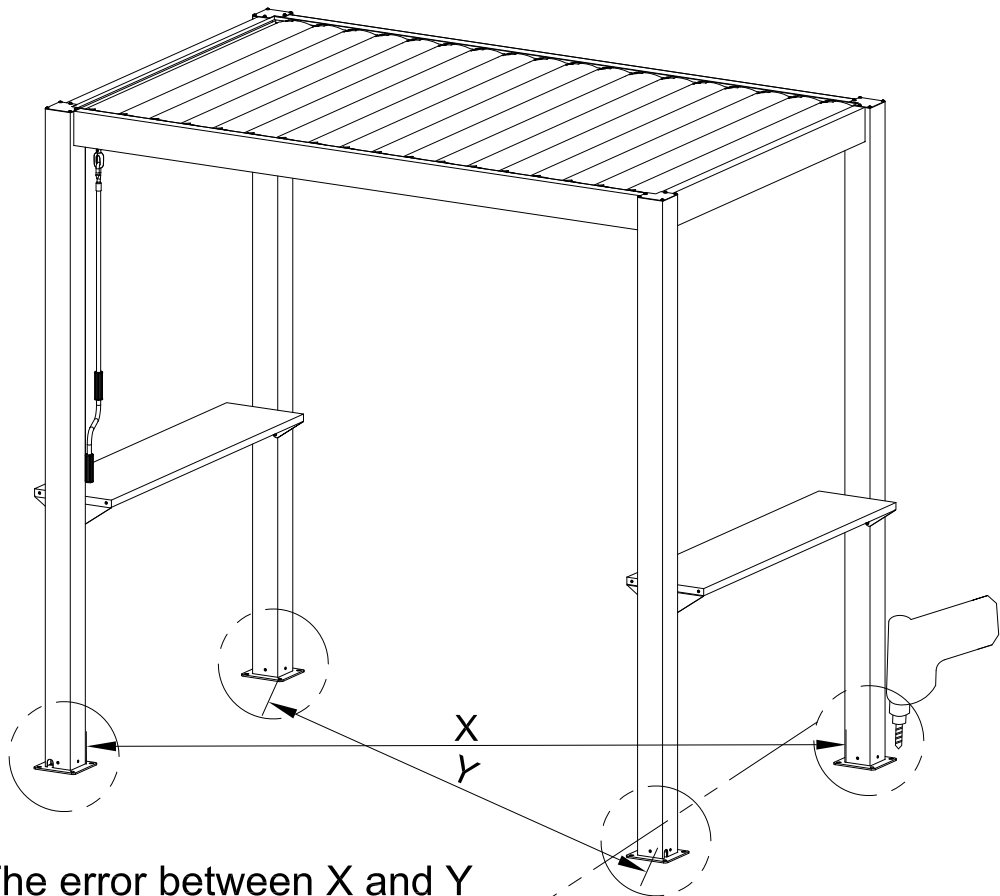
L2		QTY:4PCS	S5		QTY:16PCS
S6		QTY:12PCS ST5.5*16	S7	 φ6*1	QTY:8PCS
			S8		QTY:8PCS M6*16

7. Install bar counter

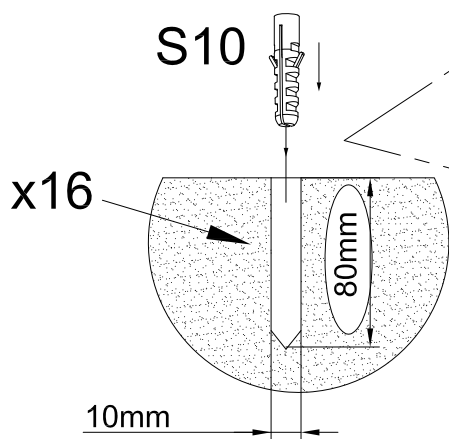


G		QTY:4PCS	H		QTY:2PCS
S7		QTY:16PCS φ6*1	S8		QTY:16PCS M6*16
			S12		QTY:8PCS M4*10

8. Fixed column



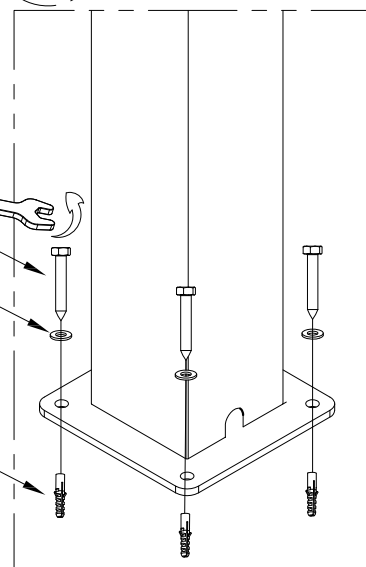
The error between X and Y should not exceed 3CM



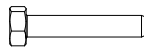


S9 x4

S11 x4

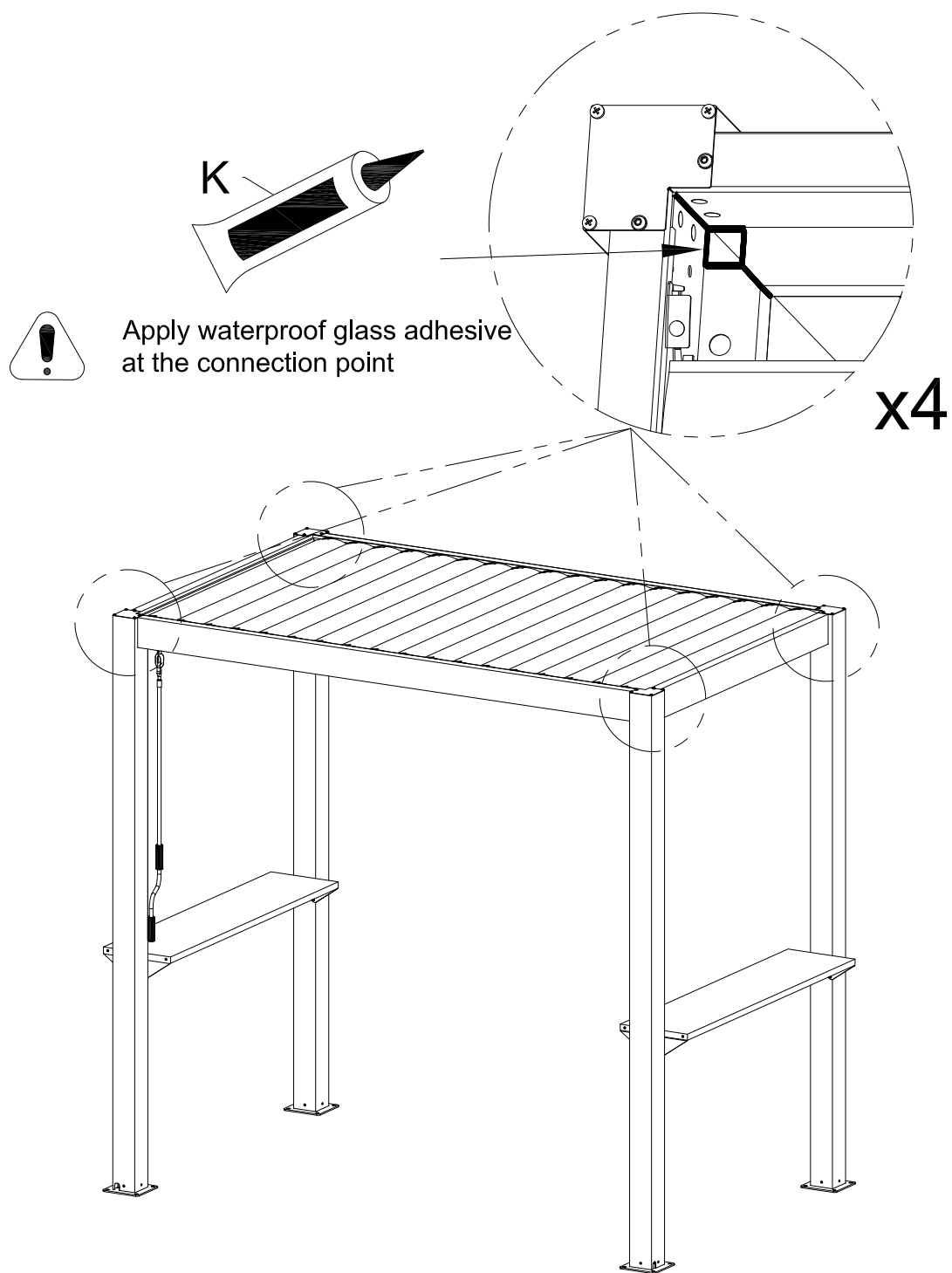
S10 x4



x4

<p>S9  QTY:16PCS M8*75</p>	<p>S10  QTY:16PCS φ10*50</p>	<p>S11  QTY:16PCS φ8*1</p>
---	---	---

9. Apply sealant at the joints



K

