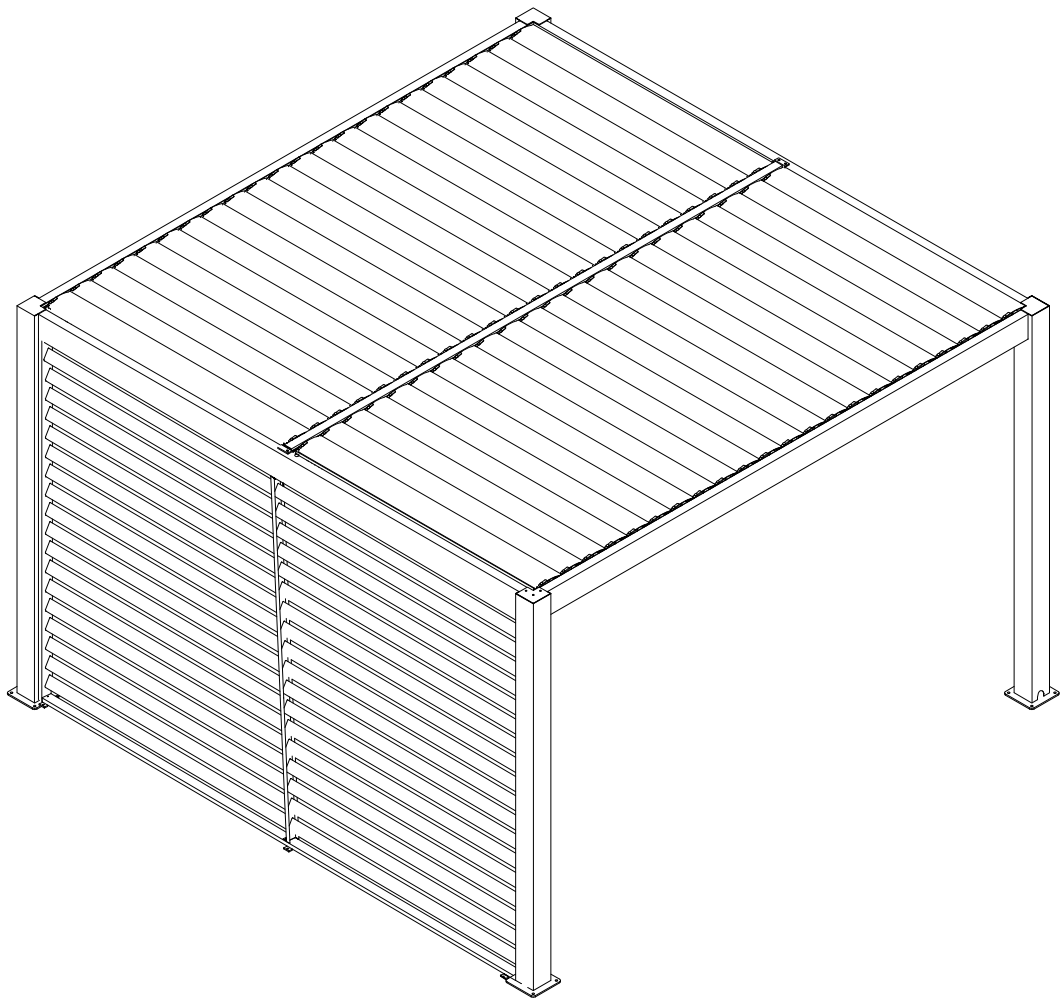
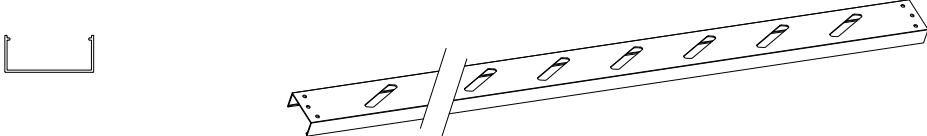



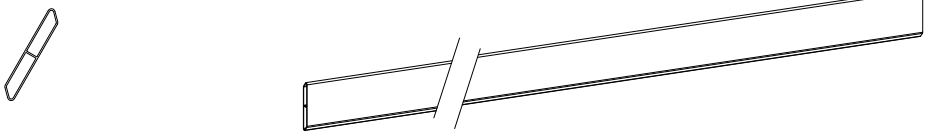

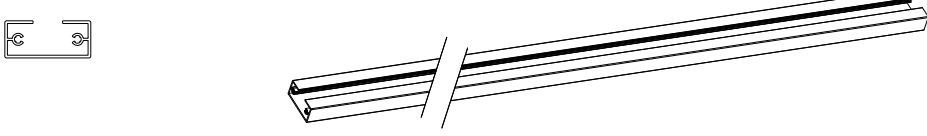
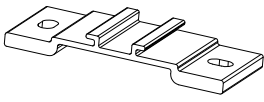
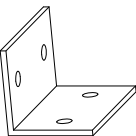



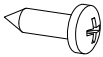
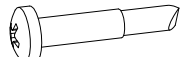
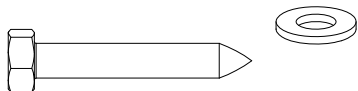



BBQ BACK WALL



Bill of Materials List

REF	PHOTO	QTY
A1		1
A2		1
B1		1
C		2
D		18
E		1
F		2
G		3
H		2

Bill of Materials List

REF	PHOTO	QTY	REF	PHOTO	QTY
K1		6			
K2	 ST4.8×20	12			
K3	 C-ST4.2×25	4			
K4	 M6*60 & φ6*1	6			
K5	 φ10*50	6			
K6	 M5*10	4			
K7	 M5	4			

Kinder Reminder

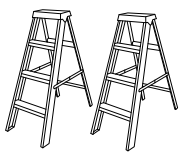
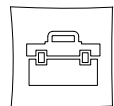
General Guidelines

- After installing the sliding door, please keep this manual for future use;
- Please carefully read the following instructions before assembly;
- This manual may not include every detail and a considerable number of steps;
- When you need further information or any assistance, please contact us;

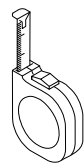
Kind Notes

- Please open or remove the blinds in strong winds or other extreme weather conditions to avoid damage to personnel in adverse weather conditions.

What you may need?



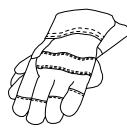
Ladder x2



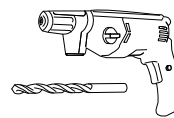
Tape line



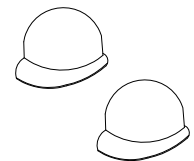
Mallet



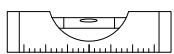
Glove



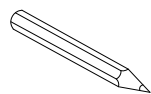
electric screw driver



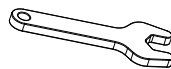
Safety hat x2



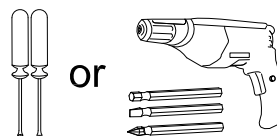
Level



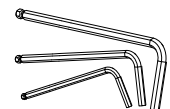
Marker Pen



Adjustable wrench

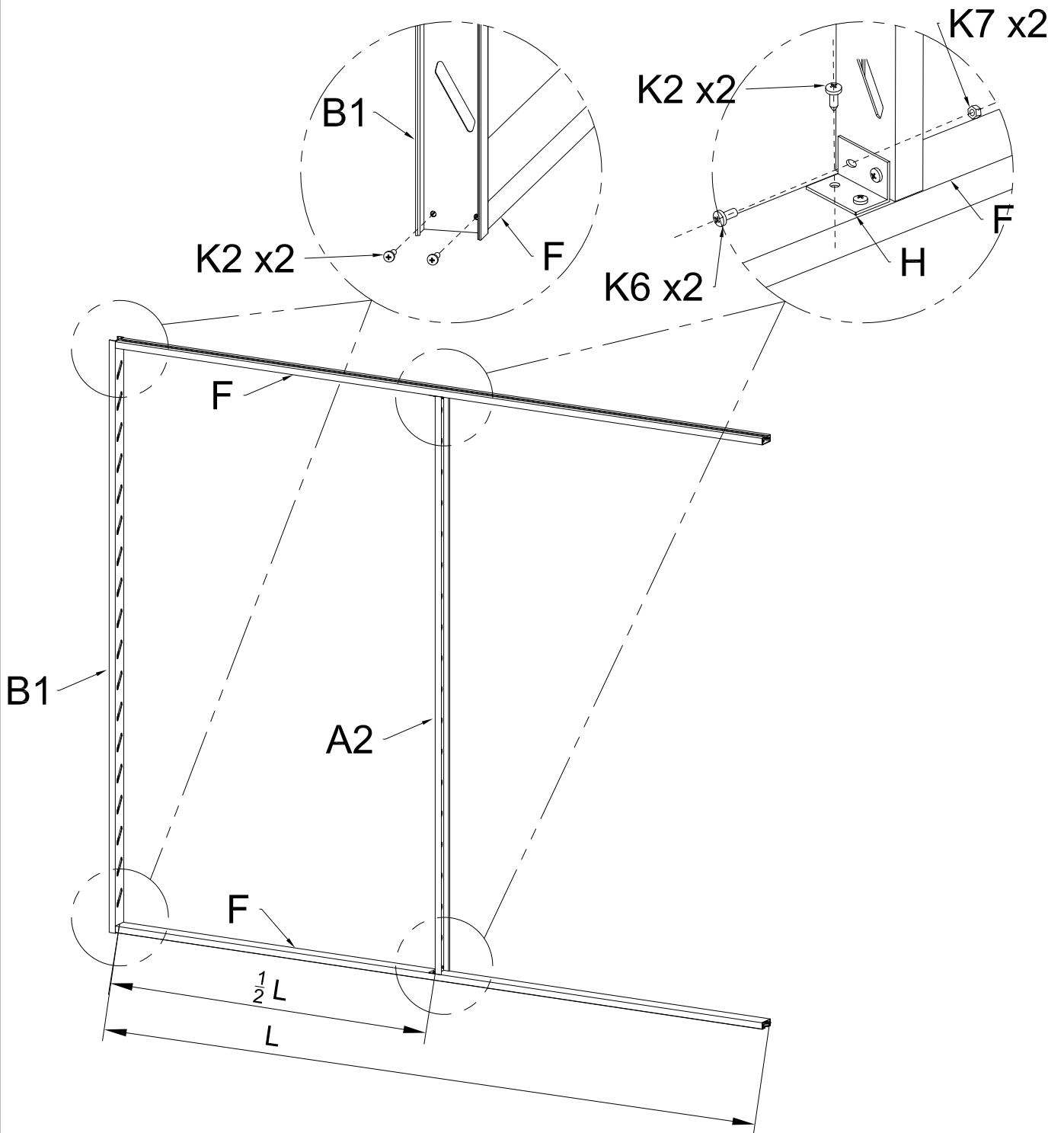


screwdriver or electric screwdriver



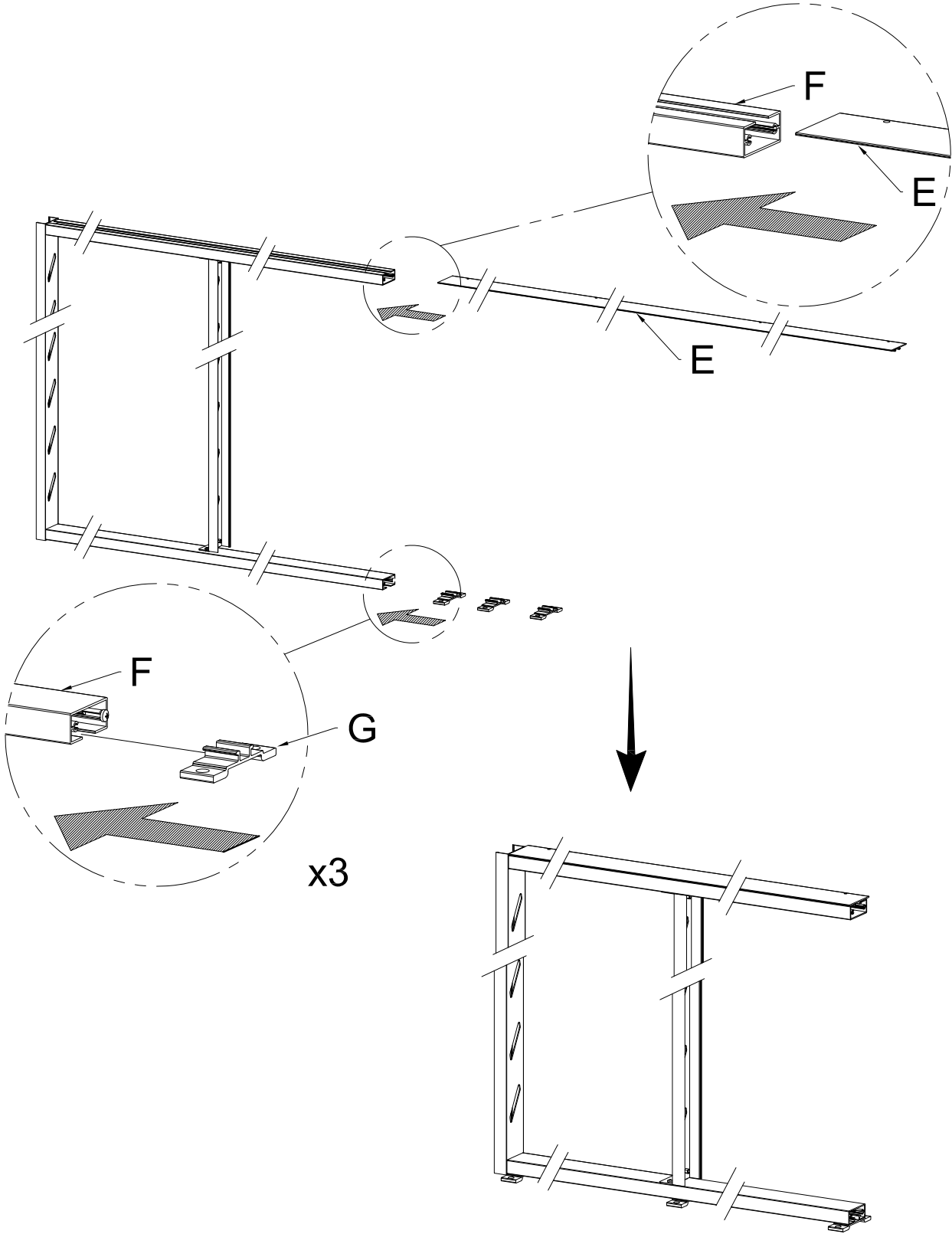
Allen key

1. Assemble the upper and lower beams, as well as the left and middle pillars.



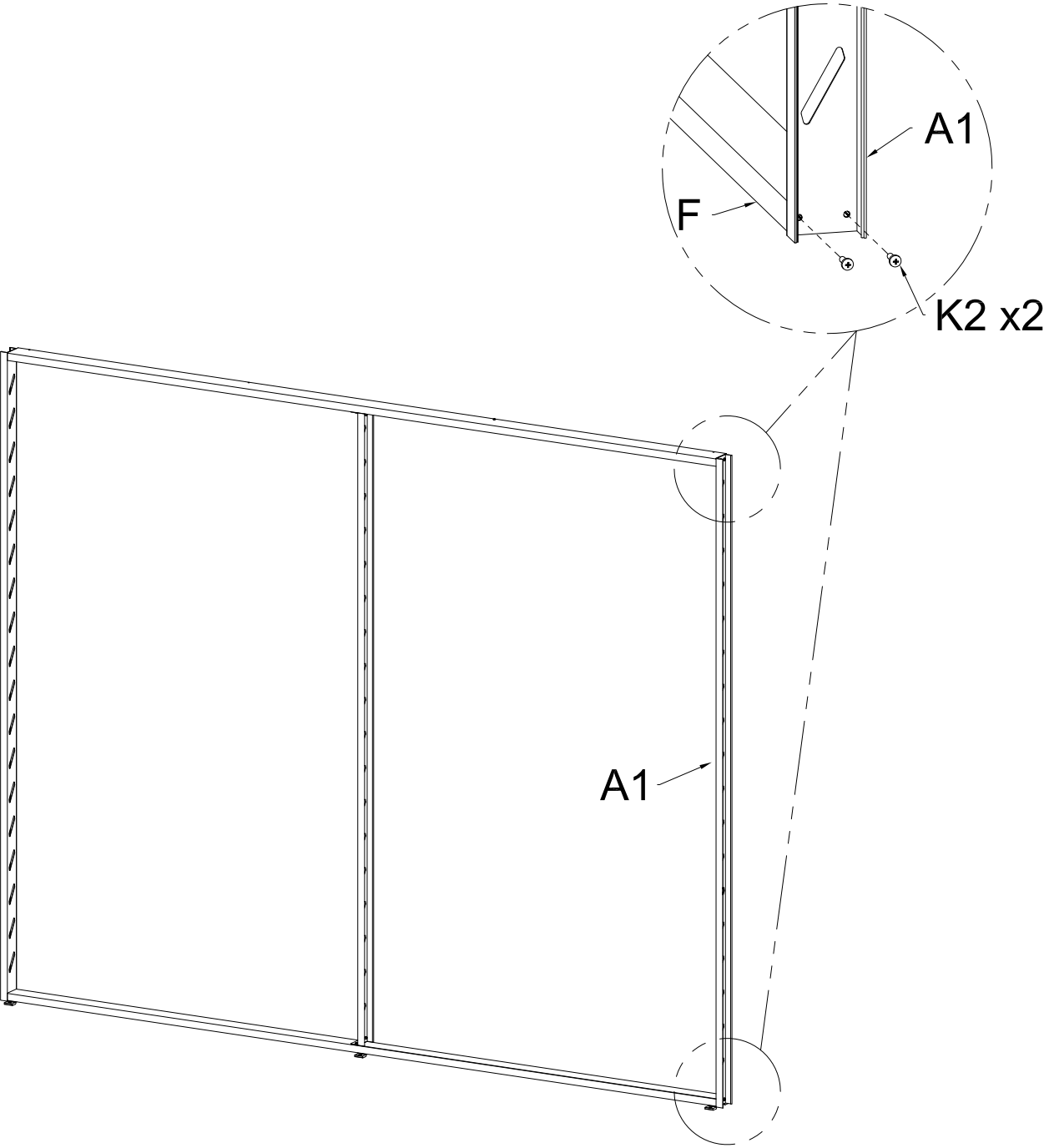
A2		QTY:1PC			
B1		QTY:1PC			
F		QTY:2PCS	H		QTY:2PCS
K2	QTY:8PCS ST4.8*20	K6	QTY:4PCS M5*10	K7	QTY:4PCS M5

2. Insert upper and lower beam fasteners.



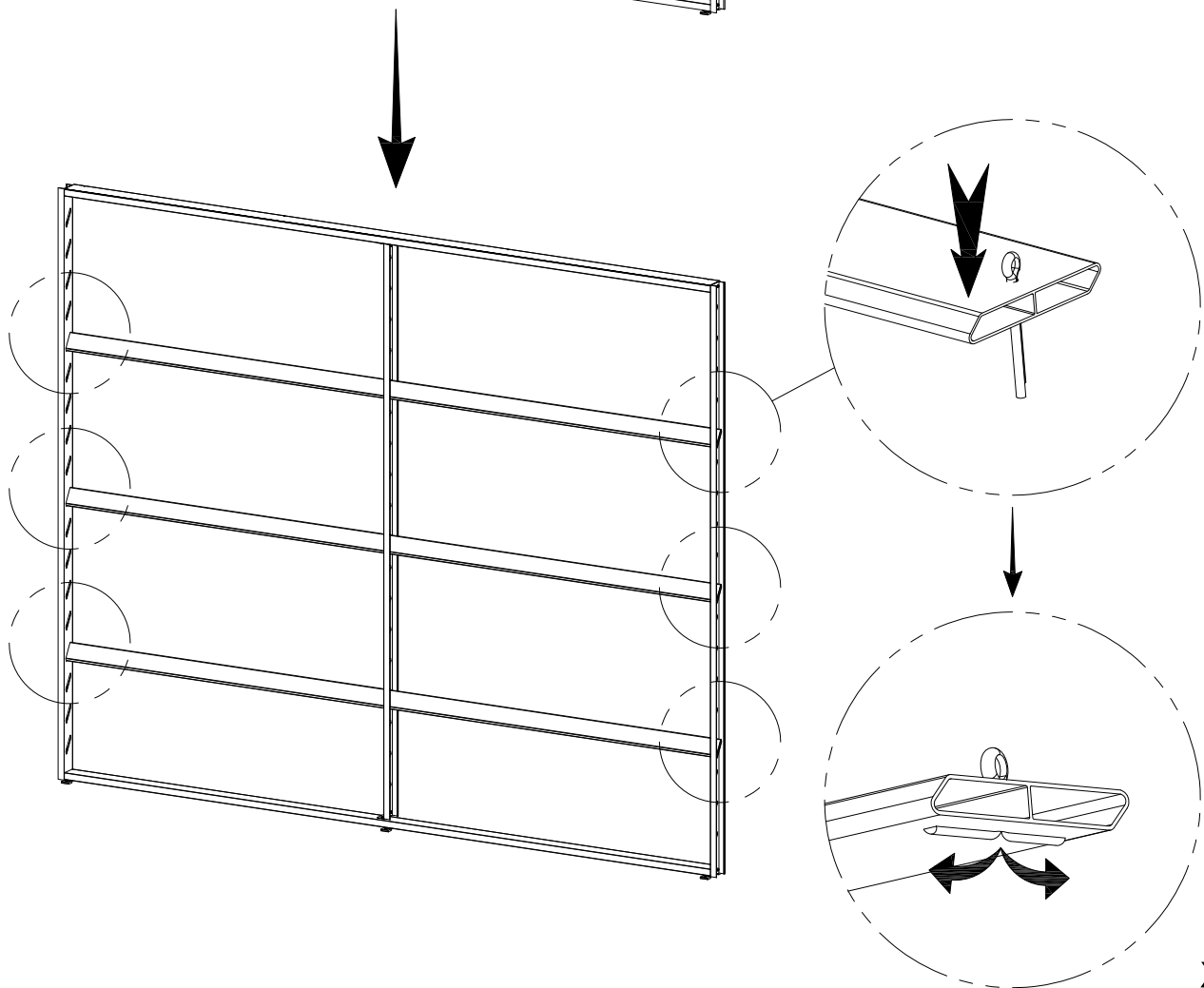
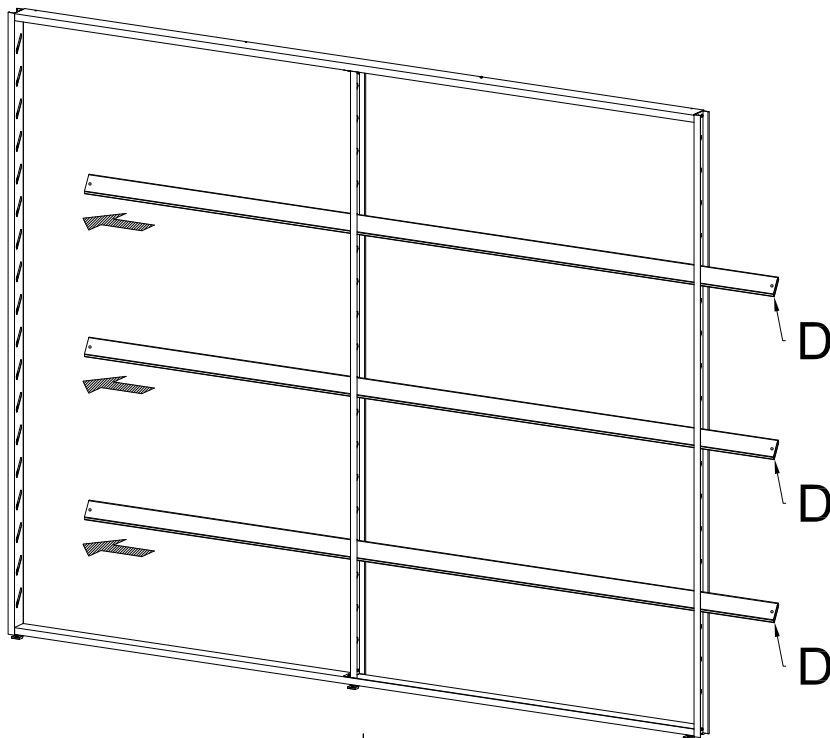
E		QTY:1PC	G	 QTY:3PCS
---	---	---------	---	--

3. Install the right side pillar.



A1		QTY:1PC	K2 	QTY:4PCS ST4.8*20
----	---	---------	--	----------------------

4. Insert and fix the fifth, tenth, and fifteenth louvers.

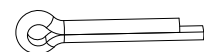


D



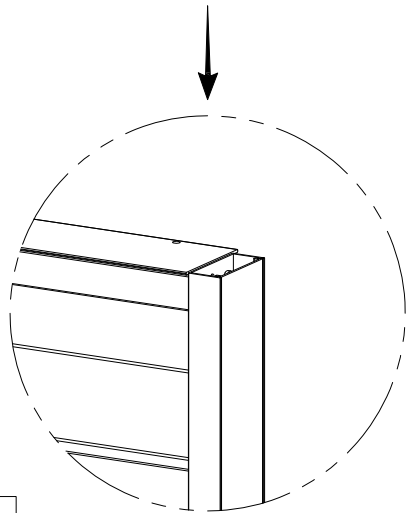
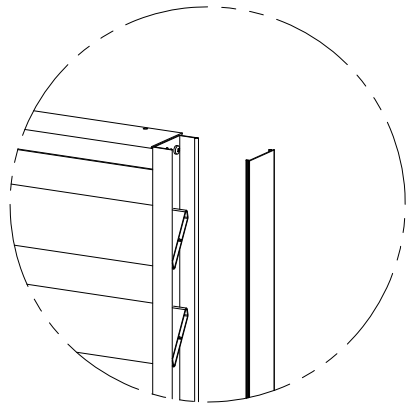
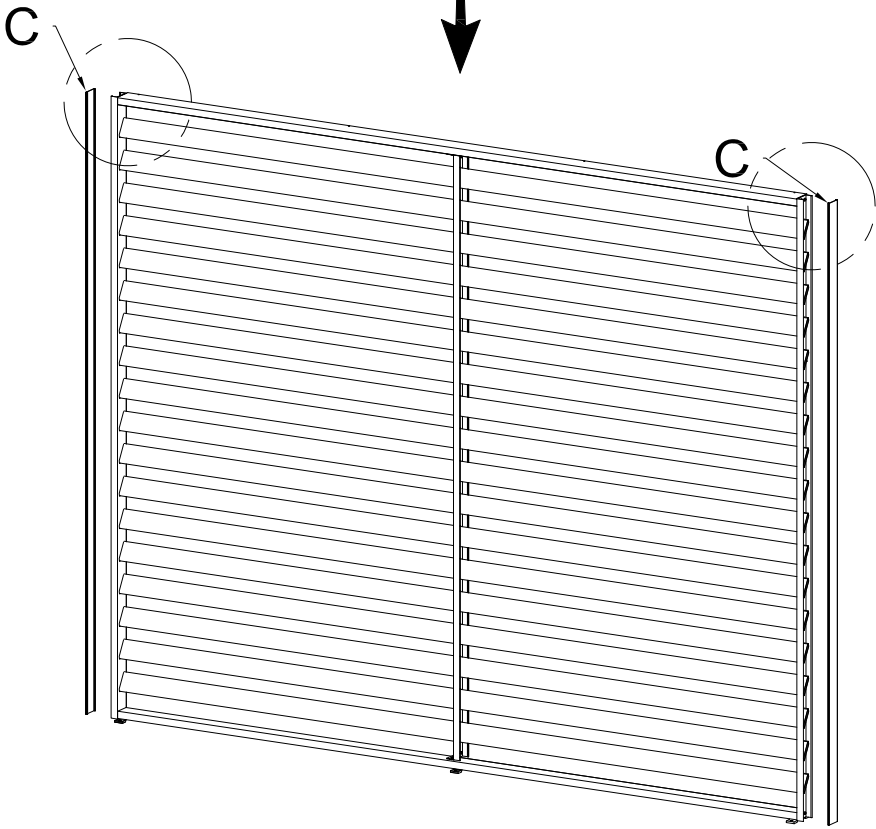
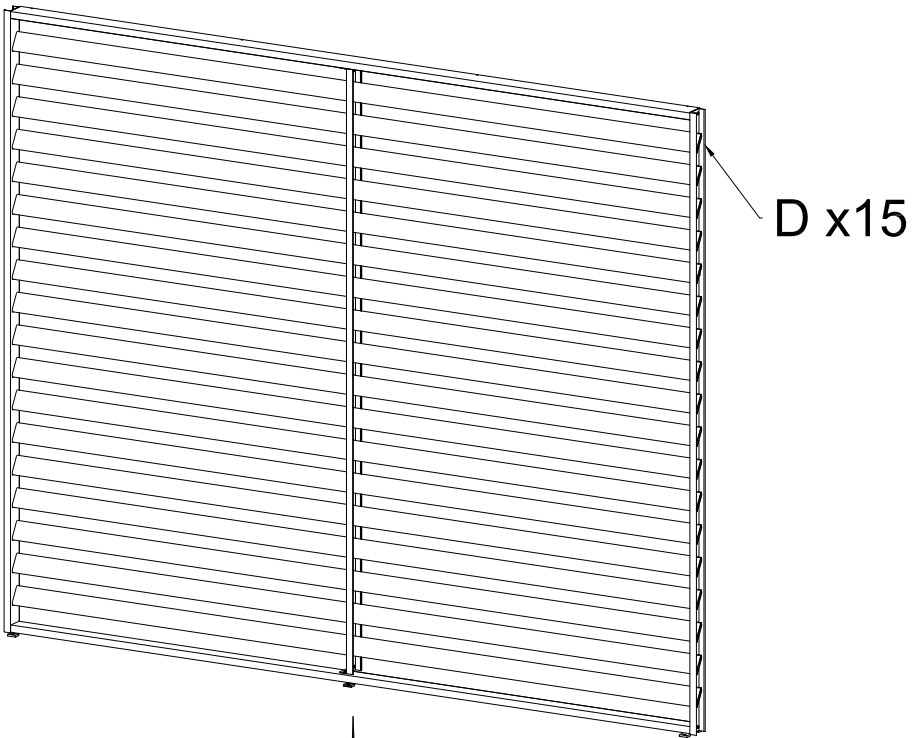
QTY:3PCS



K1



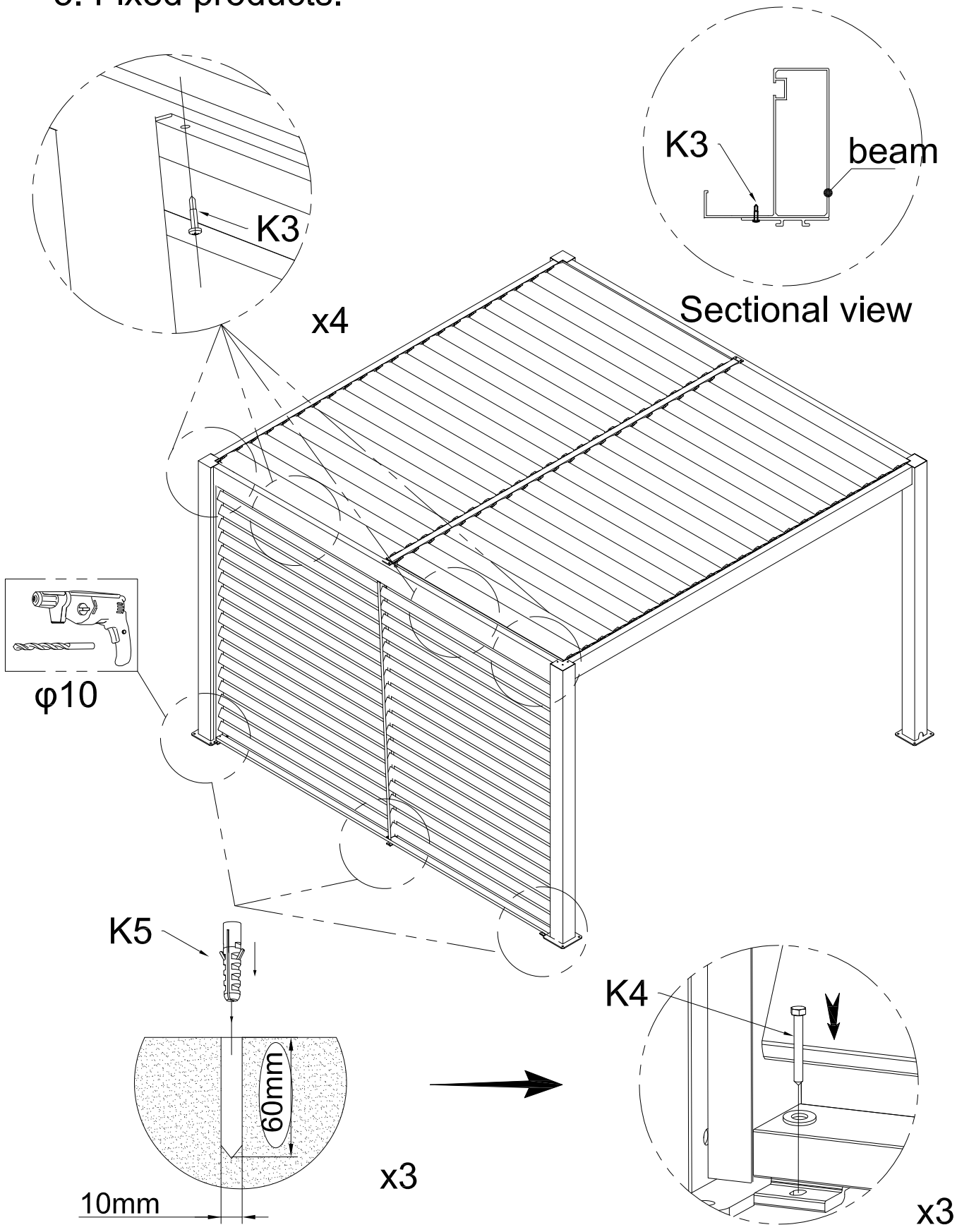
QTY:6PCS

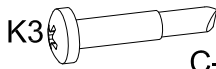
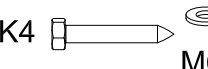
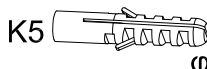
5. Install all remaining louvers and install cover plates.



C		QTY:2PCS
D		QTY:15PCS

5. Fixed products.



 <p>K3 QTY:4PCS C-ST4.2×25</p>	 <p>K4 QTY:3SETS M6*60 & φ6*1</p>	 <p>K5 QTY:3PCS φ10*50</p>
--	---	--